

# DualTech

COM2 - Concealed wiring  
 EAN 4007841 008000  
 Article number 008000



ultrasonic sensor  
360°



infrared sensor  
360°



max. Ø 6 m  
presence

2000 W

max. 2000 W



IP20



ideal 2,5 - 3,5 m



indoor sensor

iQ

iQ-mode

Teach

Teach mode



energy saving

## Function description

The best of both worlds. Combined in one detector. Ultrasonic presence detector DualTech, ideal for offices, conference rooms and class rooms. 36 sq.m. presence zone, ultrasonic technology provides reliable detection behind objects regardless of temperature, additional detection capability with PIR technology, electronic adjustment for ultrasonic reach, COM2 for switching light ON and OFF and also operating HVAC.

## Technical specifications

Dimensions (L x W x H)	66 x 120 x 120 mm	Mounting height	2,50 – 3,50 m
Manufacturer's Warranty	5 years	Mounting height max.	3,50 m
Settings via	Remote control, DIP switches, Potentiometers, Smart Remote	Optimum mounting height	2,8 m
With remote control	No	Ultrasonic technology	40 kHz
Version	COM2 - Concealed wiring	Detection angle	360 °
PU1, EAN	4007841008000	Angle of aperture	180 °
Type	Presence detector	Sneak-by guard	Yes
Application, place	Indoors	Capability of masking out individual segments	No
Application, room	classroom, one-person office, open-plan office, conference room / meeting room, duty room, recreation room, Indoors	Electronic scalability	Yes
Colour	white	Mechanical scalability	No
Colour, RAL	9010	Reach, radial	Ultrasonic: Ultraschall: Ø 10 m (Ultraschall: 79 m <sup>2</sup> )
Includes corner wall mount	No	Reach, tangential	Ultrasonic: Ultraschall: Ø 10 m (Ultraschall: 79 m <sup>2</sup> )
Installation site	ceiling	Reach, presence	Ultrasonic: Ultraschall: Ø 6 m (Ultraschall: 28 m <sup>2</sup> )
Installation	Concealed wiring, Ceiling	Reach, radial 2	passive infrared: Passiv Infrarot: Ø 4 m (Passiv Infrarot: 13 m <sup>2</sup> )

# DualTech

COM2 - Concealed wiring  
 EAN 4007841 008000  
 Article number 008000



## Technical specifications

IP-rating	IP20
Ambient temperature	from -25 up to 55 °C
Material	Plastic
Mains power supply	220 – 240 V / 50 – 60 Hz
Fluorescent lamps, electronic ballast	1500 W
Fluorescent lamps, uncorrected	1000 VA
Fluorescent lamps, series-corrected	1000 VA
Fluorescent lamps, parallel-corrected	1000 VA
Switching output 1, low-voltage halogen lamps	2000 VA
LED lamps < 2 W	100 W
LED lamps > 2 W < 8 W	300 W
LED lamps > 8 W	600 W
Capacitive load in µF	176 µF
Sensor Technology 2	passive infrared
Technology, sensors	Ultrasonic, passive infrared, Light sensor

Reach, tangential 2	passive infrared: Passiv Infrarot: Ø 8 m (Passiv Infrarot: 50 m²)
Reach, presence 2	passive infrared: Passiv Infrarot: Ø 4 m (Passiv Infrarot: 13 m²)
Switching zones	520 switching zones
Functions	Normal / test mode, Semi-/fully automatic, Pushbutton / switch mode, Manual ON / ON-OFF
Twilight setting	10 – 1000 lx
Time setting	30 s – 30 Min.
Basic light level function	No
Main light adjustable	No
Twilight setting TEACH	Yes
Constant-lighting control	No
Interconnection	Yes
Type of interconnection	Master/master, Master/slave
Interconnection via	Cable
Interconnection, number	max. 10 sensors
Product category	Presence detector

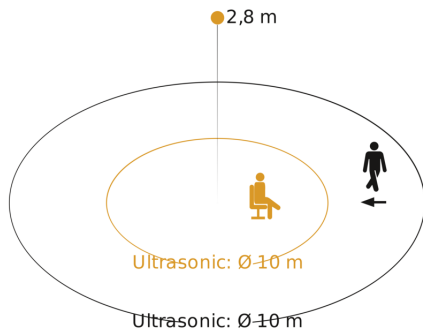
## Accessories

EAN 4007841 009151	Remote control Smart Remote
EAN 4007841 559410	Service remote control RC8

# DualTech

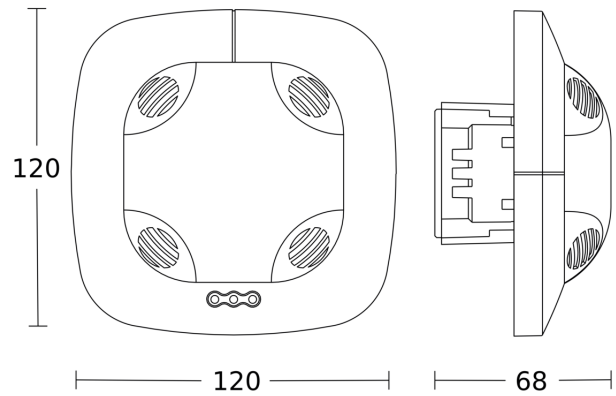
COM2 - Concealed wiring  
 EAN 4007841 008000  
 Article number 008000

## Detection Zone

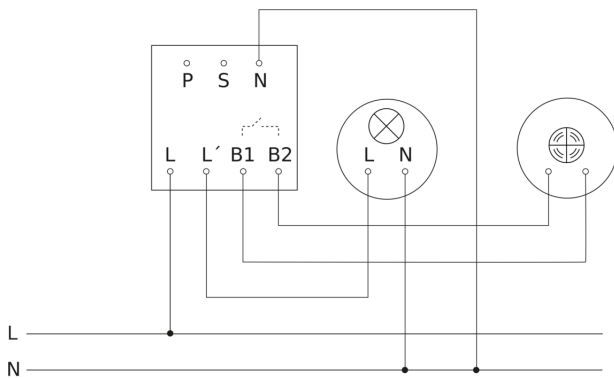


Possible mounting height: 2,50 m - 3,50 m  
 Orange: presence and tangential  
 Black: radial

## Dimension Drawing



## Master circuit diagram



## Master/slave interconnection circuit diagram

